

ADS1110EVM

Evaluation Module

User's Guide

IMPORTANT NOTICE

Texas Instruments Incorporated and its subsidiaries (TI) reserve the right to make corrections, modifications, enhancements, improvements, and other changes to its products and services at any time and to discontinue any product or service without notice. Customers should obtain the latest relevant information before placing orders and should verify that such information is current and complete. All products are sold subject to TI's terms and conditions of sale supplied at the time of order acknowledgment.

TI warrants performance of its hardware products to the specifications applicable at the time of sale in accordance with TI's standard warranty. Testing and other quality control techniques are used to the extent TI deems necessary to support this warranty. Except where mandated by government requirements, testing of all parameters of each product is not necessarily performed.

TI assumes no liability for applications assistance or customer product design. Customers are responsible for their products and applications using TI components. To minimize the risks associated with customer products and applications, customers should provide adequate design and operating safeguards.

TI does not warrant or represent that any license, either express or implied, is granted under any TI patent right, copyright, mask work right, or other TI intellectual property right relating to any combination, machine, or process in which TI products or services are used. Information published by TI regarding third-party products or services does not constitute a license from TI to use such products or services or a warranty or endorsement thereof. Use of such information may require a license from a third party under the patents or other intellectual property of the third party, or a license from TI under the patents or other intellectual property of TI.

Reproduction of information in TI data books or data sheets is permissible only if reproduction is without alteration and is accompanied by all associated warranties, conditions, limitations, and notices. Reproduction of this information with alteration is an unfair and deceptive business practice. TI is not responsible or liable for such altered documentation.

Resale of TI products or services with statements different from or beyond the parameters stated by TI for that product or service voids all express and any implied warranties for the associated TI product or service and is an unfair and deceptive business practice. TI is not responsible or liable for any such statements.

Following are URLs where you can obtain information on other Texas Instruments products & application solutions:

| Products | | Applications | |
|------------------|--|---------------------|--|
| Amplifiers | amplifier.ti.com | Audio | www.ti.com/audio |
| Data Converters | dataconverter.ti.com | Automotive | www.ti.com/automotive |
| DSP | dsp.ti.com | Broadband | www.ti.com/broadband |
| Interface | interface.ti.com | Digital Control | www.ti.com/digitalcontrol |
| Logic | logic.ti.com | Military | www.ti.com/military |
| Power Mgmt | power.ti.com | Optical Networking | www.ti.com/opticalnetwork |
| Microcontrollers | microcontroller.ti.com | Security | www.ti.com/security |
| | | Telephony | www.ti.com/telephony |
| | | Video & Imaging | www.ti.com/video |
| | | Wireless | www.ti.com/wireless |

Mailing Address: Texas Instruments
Post Office Box 655303 Dallas, Texas 75265

ADS1110EVM User's Guide

SBAU089

Data Acquisition Products—Semiconductor Group



Printed on Recycled Paper

EVM IMPORTANT NOTICE

Texas Instruments (TI) provides the enclosed product(s) under the following conditions:

This evaluation kit being sold by TI is intended for use for **ENGINEERING DEVELOPMENT OR EVALUATION PURPOSES ONLY** and is not considered by TI to be fit for commercial use. As such, the goods being provided may not be complete in terms of required design-, marketing-, and/or manufacturing-related protective considerations, including product safety measures typically found in the end product incorporating the goods. As a prototype, this product does not fall within the scope of the European Union directive on electromagnetic compatibility and therefore may not meet the technical requirements of the directive.

Should this evaluation kit not meet the specifications indicated in the EVM User's Guide, the kit may be returned within 30 days from the date of delivery for a full refund. **THE FOREGOING WARRANTY IS THE EXCLUSIVE WARRANTY MADE BY SELLER TO BUYER AND IS IN LIEU OF ALL OTHER WARRANTIES, EXPRESSED, IMPLIED, OR STATUTORY, INCLUDING ANY WARRANTY OF MERCHANTABILITY OR FITNESS FOR ANY PARTICULAR PURPOSE.**

The user assumes all responsibility and liability for proper and safe handling of the goods. Further, the user indemnifies TI from all claims arising from the handling or use of the goods. Please be aware that the products received may not be regulatory compliant or agency certified (FCC, UL, CE, etc.). Due to the open construction of the product, it is the user's responsibility to take any and all appropriate precautions with regard to electrostatic discharge.

EXCEPT TO THE EXTENT OF THE INDEMNITY SET FORTH ABOVE, NEITHER PARTY SHALL BE LIABLE TO THE OTHER FOR ANY INDIRECT, SPECIAL, INCIDENTAL, OR CONSEQUENTIAL DAMAGES.

TI currently deals with a variety of customers for products, and therefore our arrangement with the user **is not exclusive**.

TI assumes **no liability for applications assistance, customer product design, software performance, or infringement of patents or services described herein**.

Please read the EVM User's Guide and, specifically, the EVM Warnings and Restrictions notice in the EVM User's Guide prior to handling the product. This notice contains important safety information about temperatures and voltages. For further safety concerns, please contact the TI application engineer.

Persons handling the product must have electronics training and observe good laboratory practice standards.

No license is granted under any patent right or other intellectual property right of TI covering or relating to any machine, process, or combination in which such TI products or services might be or are used.

Mailing Address:

Texas Instruments
Post Office Box 655303
Dallas, Texas 75265

EVM WARNINGS AND RESTRICTIONS

It is important to operate this EVM within the specified input and output ranges described in the EVM User's Guide.

Exceeding the specified input range may cause unexpected operation and/or irreversible damage to the EVM. If there are questions concerning the input range, please contact a TI field representative prior to connecting the input power.

Applying loads outside of the specified output range may result in unintended operation and/or possible permanent damage to the EVM. Please consult the EVM User's Guide prior to connecting any load to the EVM output. If there is uncertainty as to the load specification, please contact a TI field representative.

During normal operation, some circuit components may have case temperatures greater than 60°C. The EVM is designed to operate properly with certain components above 60°C as long as the input and output ranges are maintained. These components include but are not limited to linear regulators, switching transistors, pass transistors, and current sense resistors. These types of devices can be identified using the EVM schematic located in the EVM User's Guide. When placing measurement probes near these devices during operation, please be aware that these devices may be very warm to the touch.

Mailing Address:

Texas Instruments
Post Office Box 655303
Dallas, Texas 75265

Read This First

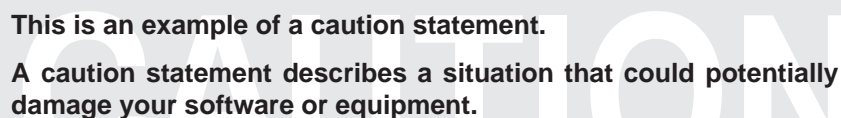
About This Manual

This manual describes the ADS1110EVM evaluation fixture and how to use it. Throughout this document, the abbreviation EVM and the term *evaluation module* are synonymous with the ADS1110EVM.

Information About Cautions and Warnings

This book contains cautions.

**This is an example of a caution statement.
A caution statement describes a situation that could potentially
damage your software or equipment.**



The information in a caution is provided for your protection. Please read each caution carefully.

Related Documentation From Texas Instruments

The following document provides information regarding Texas Instruments integrated circuits used in the assembly of the ADS1110EVM. This document is available from the TI web site. The last character of the literature number corresponds to the document revision, which is current at the time of the writing of this User's Guide. To obtain a copy of the following TI document, visit our website at <http://www.ti.com/> or call the Texas Instruments Literature Response Center at (800) 477-8924 or the Product Information Center at (972) 644-5580. When ordering, identify the document by both title and literature number.

Data sheet

ADS1110 Data Sheet

Literature number

SBAS276

If You Need Assistance

If you have questions regarding either the use of this evaluation module or the information contained in the accompanying documentation, please contact the Texas Instruments Product Information Center at (972) 644-5580 or visit the TI web site at www.ti.com.

FCC Warning

This equipment is intended for use in a laboratory test environment only. It generates, uses, and can radiate radio frequency energy and has not been tested for compliance with the limits of computing devices pursuant to subpart J of part 15 of FCC rules, which are designed to provide reasonable protection against radio frequency interference. Operation of this equipment in other environments may cause interference with radio communications, in which case the user at his own expense will be required to take whatever measures may be required to correct this interference.

Trademarks

All trademarks are the property of their respective owners.

Contents

| | | |
|----------|-------------------------------------|------------|
| 1 | Overview | 1-1 |
| 1.1 | Introduction | 1-2 |
| 1.2 | Connectors | 1-2 |
| 1.3 | Controls | 1-3 |
| 1.4 | Setting Up | 1-3 |
| 2 | Circuit Description | 2-1 |
| 2.1 | ADS1110 Devices | 2-2 |
| 2.2 | I/O Connectors and Testpoints | 2-2 |
| 2.3 | Jumpers | 2-6 |
| 2.4 | Switches | 2-7 |
| 3 | Schematic and Layout | 3-1 |
| 3.1 | Schematic | 3-2 |
| 3.2 | Board Layout | 3-3 |
| 3.3 | Bill of Materials | 3-4 |

Figures

| | |
|---|-----|
| Figure 2–1. Connectors and Jumpers | 2-2 |
| Figure 2–2. Analog Connector Pinout | 2-3 |
| Figure 2–3. Serial Connector Pinout | 2-4 |
| Figure 2–4. Power Connector Pinout | 2-5 |
| Figure 2–5. Jumper Block J3 | 2-6 |
| Figure 3–1. Schematic | 3-2 |
| Figure 3–2. Top Side Layout | 3-3 |
| Figure 3–3. Bottom Side Layout | 3-3 |

Tables

| | |
|---|-----|
| Table 2–1. ADS1110 Devices | 2-2 |
| Table 2–2. Analog Connector Pin Descriptions | 2-4 |
| Table 2–3. Serial Connector Pin Descriptions | 2-4 |
| Table 2–4. Power Connector Pin Descriptions | 2-5 |
| Table 2–5. Digital Power Supply Level Select Switch | 2-7 |
| Table 3–1. Bill of Materials | 3-4 |

Overview

The ADS1110EVM is an evaluation fixture for the ADS1110 16-bit delta-sigma ($\Delta\Sigma$) analog-to-digital converter (ADC). Designed for prototyping and evaluation, it includes four ADS1110 devices, each with a different I²C address.

| Topic | Page |
|------------------------|------|
| 1.1 Introduction | 1-2 |
| 1.2 Connectors | 1-2 |
| 1.3 Controls | 1-3 |
| 1.4 Setting Up | 1-3 |

1.1 Introduction

Many data converter evaluation fixtures contain a computer interface or a microcontroller, but the ADS1110EVM contains only the ADS1110 device and a few support components. All ADS1110 pins are accessible through various pins on the ADS1110 analog and digital connectors.

The ADS1110EVM is designed using a simple card format developed by TI. This simple, consistent design makes the ADS1110EVM very easy to connect to your own prototype system. You can even think of the ADS1110EVM as an alternate package for the ADS1110—one much larger than the device itself, but also much easier to wire up by hand on your test bench.

The ADS1110EVM can be plugged directly into suitable motherboards such as the HPA449 MSP430 microcontroller development system from Soft-Baugh, Inc. (<http://www.softbaugh.com/>). See TI's web site for example code using the ADS1110EVM with the HPA449.

The ADS1110EVM, together with the HPA449 and the appropriate software, also forms a complete evaluation system for verifying the performance of the ADS1110. See the ADS1110 product information folder on the Texas Instruments web site.

1.2 Connectors

The ADS1110 devices on the ADS1110EVM are connected through three headers: the analog connector, the serial connector, and the power connector. Pinouts and locations for the connectors are given in the following chapter.

- The **analog** connector (J1) carries analog I/O.
- The **serial** connector (J2) carries the ADS1110 I²C interface.
- The **power** connector (J4) carries the power supplies. The ADS1110EVM requires a +2.7V—+5V power supply. The power connector has dedicated connections for +5V and +3.3V. A slide switch connects the four ADS1110 devices to the analog, +5V digital, or +3.3V digital power-supply pins on J6.

The board is designed using a single ground net connected to DGND. An AGND pin is also provided; it can be connected to DGND using jumper J2.

A jumper is inserted in the supply line of each device. Another jumper carries the supply current for all four devices. These jumpers allow the current of each device to be measured independently or together.

1.3 Controls

The ADS1110EVM is configured using a slide switch and a jumper block.

Switch S1 is used to select between two digital power supply pins and one analog power supply pin provided on the power connector. One pin is used for +3.3V, and the other two are used for +5V; some motherboards, such as the HPA449, provide both voltages. This switch determines the logic levels that the ADS1110 will use to communicate, so it is important to set it correctly.

The jumper block is used mainly for current measurement. There is also a jumper used to short AGND to DGND.

1.4 Setting Up

The ADS1110EVM is configured according to its use. Thus, there is no single correct procedure to configure the test fixture.

Nevertheless, it is useful to remember the following things when you are setting up the board:

- Make certain that S1, the power supply select switch, is in the right position for your system, and that you have connected a power supply to the proper pins on the power connector.
- If you are not measuring the ADS1110 supply current, remember to place shorting blocks on jumper block J3. Without these shorting blocks, the ADS1110 will not be powered on.

Circuit Description

This chapter describes the connectors, controls, and circuit design of the ADS1110EVM in detail.

| Topic | Page |
|--|-------------|
| 2.1 ADS1110 Devices | 2-2 |
| 2.2 I/O Connectors and Testpoints | 2-2 |
| 2.3 Jumpers | 2-6 |
| 2.4 Switches | 2-7 |

2.1 ADS1110 Devices

There are four ADS1110 devices installed on the ADS1110EVM. Each device has a different I²C address. All four devices are connected to the same I²C bus.

The addresses and part numbers of each device are listed in Table 2–1.

Table 2–1. ADS1110 Devices

| Reference Number | Part Number | I ² C Address |
|------------------|-------------|--------------------------|
| U1 | ADS1110A0 | 1001000 |
| U2 | ADS1110A1 | 1001001 |
| U3 | ADS1110A2 | 1001010 |
| U4 | ADS1110A3 | 1001011 |

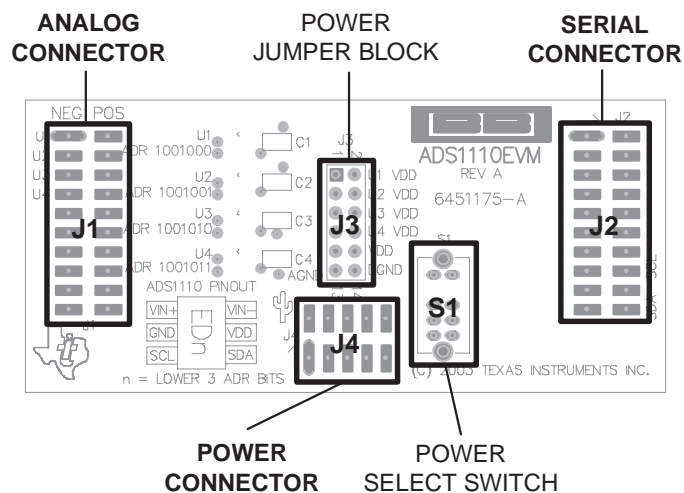
Each ADS1110 has a bypass capacitor placed near the device power supply pins. Although these capacitors are not strictly necessary, they can help performance somewhat when using low-quality power supplies.

In many applications, one bypass capacitor (or none at all) may be sufficient for a group of ADS1110 devices.

2.2 I/O Connectors and Testpoints

The positions and functions of the connectors and testpoints are shown in Figure 2–1.

Figure 2–1. Connectors and Jumpers



Many of the pins on the connectors are not used. On the pinout diagrams, unused pins are not marked. In the pin description tables, unused pins are not listed, and ground pins are listed together, with the exception of the power connector.

J1, J2, and J4, although each treated as a single connector, are actually mounted as connector pairs in a pass-through configuration. Each pair has a male surface-mount header on the top (component) side of the board, and a corresponding female surface-mount socket on the bottom (solder) side of the board. The headers, mounted on top, are suffixed A; the sockets, mounted on bottom, are suffixed B.

In the schematic, the connector pairs are shown as one symbol. For J1, J2, and J4, all bottom-side pins are connected to their corresponding top-side pins; for example, J1B pin 1 connects to J1A pin 1, J1B pin 2 connects to J1A pin 2, etc. This convention holds true for every pin on connectors J1, J2, and J4.

In the following descriptions, the connector pairs will be treated as a single connector.

2.2.1 J1: Analog Connector

The analog connector pinout is shown in Figure 2–2 and described in Table 2–2.

Figure 2–2. Analog Connector Pinout

| | | | | | |
|-------|----|---|---|----|-------|
| VINN0 | 1 | ■ | ■ | 2 | VINP0 |
| VINN1 | 3 | ■ | ■ | 4 | VINP1 |
| VINN2 | 5 | ■ | ■ | 6 | VINP2 |
| VINN3 | 7 | ■ | ■ | 8 | VINP3 |
| GND | 9 | ■ | ■ | 10 | |
| GND | 11 | ■ | ■ | 12 | |
| GND | 13 | ■ | ■ | 14 | |
| | 15 | ■ | ■ | 16 | |
| GND | 17 | ■ | ■ | 18 | |
| GND | 19 | ■ | ■ | 20 | |

Although certain pins are described as “negative,” never apply voltages less than -0.3V to these pins. The ADS1110 is not a bipolar-input device, and it cannot accept negative voltages below -0.3V without damaging the functional operation of the unit.

The negative input pins are so named because the voltage on such a pin is subtracted from a positive input pin during a reading.

Table 2–2. Analog Connector Pin Descriptions

| Pin Number | Pin Name | Standard Name | Direction | Function |
|-------------------|----------|---------------|-----------|----------------------------------|
| 1 | VINN0 | AN0– | Input | Negative Analog Input, device U1 |
| 2 | VINP0 | AN0+ | Input | Positive Analog Input, device U1 |
| 3 | VINN1 | AN1– | Input | Negative Analog Input, device U2 |
| 4 | VINP1 | AN1+ | Input | Positive Analog Input, device U2 |
| 5 | VINN2 | AN2– | Input | Negative Analog Input, device U3 |
| 6 | VINP2 | AN2+ | Input | Positive Analog Input, device U3 |
| 7 | VINN3 | AN3– | Input | Negative Analog Input, device U4 |
| 8 | VINP3 | AN3+ | Input | Positive Analog Input, device U4 |
| 9, 11, 13, 17, 19 | GND | AGND | Power | Signal Ground |

2.2.2 J2: Serial Connector

The serial connector pinout diagram is shown in Figure 2–3 and described in Table 2–3.

Figure 2–3. Serial Connector Pinout

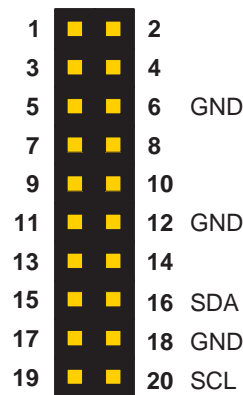


Table 2–3. Serial Connector Pin Descriptions

| Pin Number | Pin Name | Standard Name | Direction | Function |
|------------|----------|---------------|-----------|-----------------------------|
| 16 | SCL | SCL | I/O | I ² C Clock Line |
| 20 | SDA | SDA | I/O | I ² C Clock Line |
| 6, 12, 18 | GND | DGND | Power | Signal Ground |

The ADS1110 I²C interfaces are connected through pins 16 and 20. The other pins are not used.

Note: There are no pullup resistors on the I²C lines. These must be connected externally.

2.2.3 J4: Power Connector

The power connector pinout diagram is shown in Figure 2–4 and described in Table 4.

Figure 2–4. Power Connector Pinout

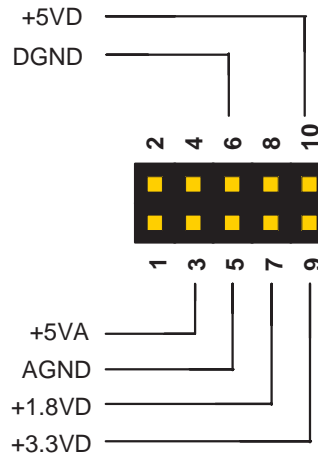


Table 2–4. Power Connector Pin Descriptions

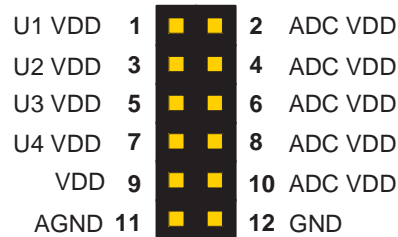
| Pin Number | Pin Name | Function | Usage on ADS1110EVM |
|------------|----------|-------------------------------------|---|
| 1 | +VA | Positive Analog Supply, +5V to +18V | Optional Use as ADS1110 Power Supply |
| 2 | –VA | Negative Analog Supply, –5V to –18V | Not Used |
| 3 | +5VA | Positive Analog Supply, +5V | Not Used |
| 4 | –5VA | Negative Analog Supply, –5V | Not Used |
| 5 | AGND | Analog Ground | Optional Connection to DGND through J4 pins 11–12 |
| 6 | DGND | Digital Ground | Ground |
| 7 | +1.8VD | Positive Digital Supply, +1.8V | Not Used |
| 8 | VD1 | Positive Digital Supply | Not Used |
| 9 | +3.3VD | Positive Digital Supply, +3.3V | Optional Use as ADS1110 Power Supply |
| 10 | +5VD | Positive Digital Supply, +5.5V | Optional Use as ADS1110 Power Supply |

The ADS1110EVM always uses DGND for its single ground domain. The AGND pin may optionally be connected to DGND through jumper J2.

2.3 Jumpers

The jumper block, J3, is shown in Figure 2–5.

Figure 2–5. Jumper Block J3



2.3.1 Individual Current Measurement Jumpers

Jumper block pins 1–8 are used to measure the current consumption of each ADS1110 device individually.

For normal operation, short each pair together.

2.3.2 Total ADC Current Measurement Jumper

Jumper block pins 9–10 are used to measure the current consumption of all four ADS1110 devices.

For normal operation, short this pair together.

2.3.3 Analog-Digital Ground Jumper

Jumper block pins 11–12 are used to connect the AGND pin on J4 (pin 5) to the DGND pin on J4 (pin 6). The ADS1110EVM uses DGND as its ground.

2.4 Switches

There is one switch on the ADS1110EVM. It selects the source pin for the ADS1110 power supply.

2.4.1 S1: Power Supply Level

This switch selects from one of three power supply pins on J4 that can be used to power the ADS1110 devices. The positions of the switch are described in Table 2–5.

Table 2–5. Digital Power Supply Level Select Switch

| Board Marking | Switch Position | Power Supply Source |
|----------------------|------------------------|----------------------------|
| +3.3VD | Top | +3.3V typical (J4 pin 9) |
| +5VD | Middle | +5V typical (J4 pin 10) |
| +5VA | Bottom | +5V typical (J4 pin 1) |

This switch determines the logic level at which the devices will communicate. Make certain it is set correctly before you power the board on.

Schematic and Layout

This chapter contains the complete bill of materials, schematic diagram, and printed circuit board (PCB) layout for the ADS1110EVM.

The schematic diagram is shown in Figure 3–1 on page 3-2. The top (component) side layout is shown in Figure 3–2 on page 3-3. The bottom (solder) side layout is shown in Figure 3–3 on page 3-3. The bill of materials is shown in Table 3–1 on page 3-4.

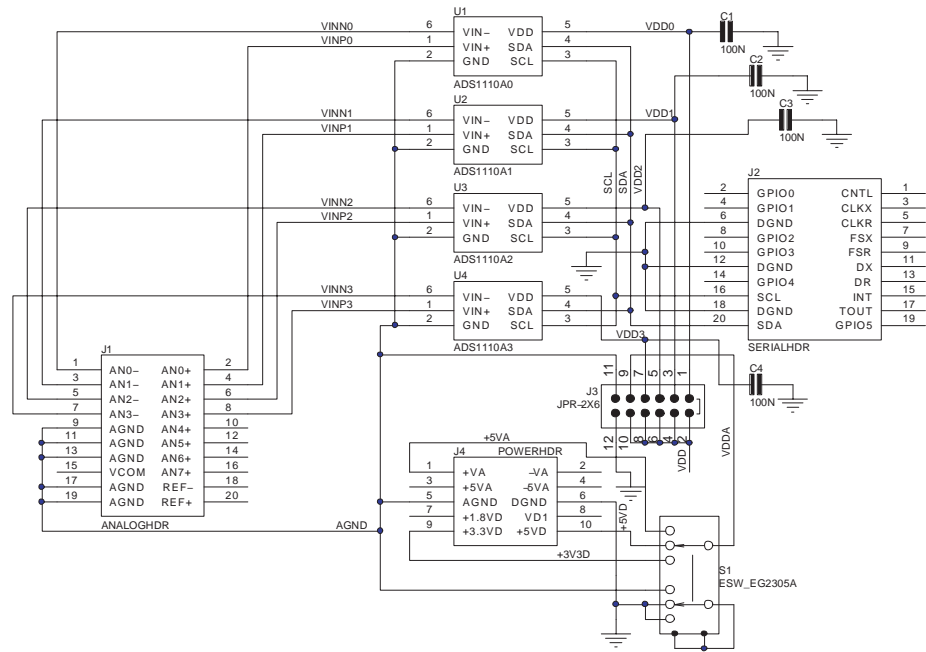
Note:

Board layouts are not to scale. These are intended to show how the board is laid out; they are not intended to be used for manufacturing ADS1110EVM PCBs.

| Topic | Page |
|------------------------------------|-------------|
| 3.1 Schematic | 3-2 |
| 3.2 Board Layout | 3-3 |
| 3.3 Bill of Materials | 3-4 |

3.1 Schematic

Figure 3–1. Schematic



3.2 Board Layout

Figure 3-2. Top Side Layout

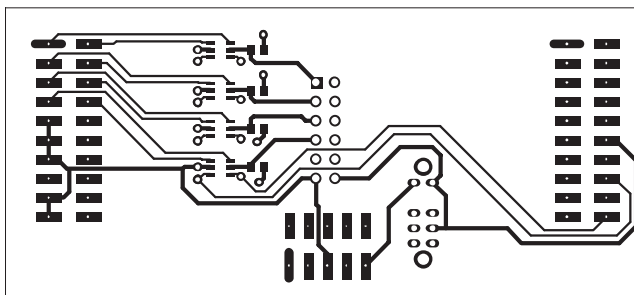
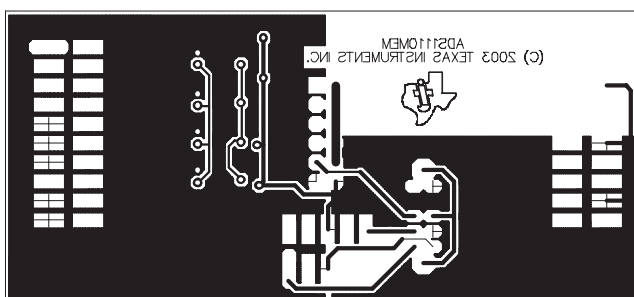


Figure 3-3. Bottom Side Layout (as viewed from the top side)



3.3 Bill of Materials

Table 3–1. Bill of Materials

| Reference Designator | Description | Vendor | Part Number |
|----------------------|--|-------------------|---------------------|
| C1, C2, C3, C4 | 16V 0.1 μ F ceramic capacitor, X7R | Panasonic | ECJ–1VB1C104K |
| U1 | Analog-to-digital converter | Texas Instruments | ADS1110A0IDBT |
| U2 | Analog-to-digital converter | Texas Instruments | ADS1110A0IDBT |
| U3 | Analog-to-digital converter | Texas Instruments | ADS1110A0IDBT |
| U4 | Analog-to-digital converter | Texas Instruments | ADS1110A0IDBT |
| N/A | ADS1110EVM PCB | Texas Instruments | 6451173 |
| J1A, J2A | Header, SMT, 20 pin | Samtec | TSM–110–01–T–DV–P |
| J1B, J2B | Socket, SMT, 20 pin | Samtec | SSW–110–22–F–D–VS–K |
| J3 | 2x6 pin header, 0.1" spacing | Samtec | TSW–106–07–L–D |
| J4A | Header, SMT, 10 pin | Samtec | TSM–105–01–T–DV–P |
| J4B | Socket, SMT, 10 pin | Samtec | SSW–105–22–F–D–VS–K |
| S1 | DP3T slide switch | E-Switch | EG2305A |